



OWNER'S MANUAL

9" PORTABLE TWIN WINDOW FAN

ITEM NO.: SB-MTSH07



110~120V 60Hz 56W



PLEASE READ AND SAVE THESE IMPORTANT INSTRUCTIONS.

This fan is for residential use only. It is not intended to be used in commercial or industrial settings.



SAFETY INFORMATION

Read and save these important safety instructions before using this fan. When using electrical appliances basic safety pre-cautions should always be followed including the following.



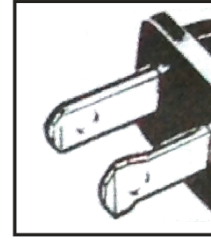
WARNING

1. To reduce the risk of fire or electrical shock, Do not use this product with any solid state speed control device. To reduce the risk of fire or electric shock and injury to persons. Do not use in a window.
2. This product employs overload protection (fuse) blown fuse indicates an overload short cut situation. If the fuse blows, unplug the product from the outlet. Replace the fuse as per the user servicing instructions (follow marking for proper fuse rating) and check the product. If the replace fuse blows, a short-circuit may be present and the product should be discarded or returned to an qualified service facility for examination and/or repair.
3. USE this fan only as described in this manual. Other uses not recommended may cause fire or electric shock.
4. This product is intended for HOUSEHOLD USE ONLY and not for commended may cause fire or electric shock.
5. To protect against electrical shock, do not place fan in window, measure unit, plug or cord in water, or spray with liquids
6. Unplug the fan form the outlet when not in use, when moving fan from one location to another and before cleaning.
7. Do not operate the fan in the presence of explosive and/or flammable fumes.
8. Do not place the fan or any parts near an open flame, cooking or other heating appliance.
9. Avoid contact with moving fan parts.
10. To disconnect, grip the plug and pull it from the wall outlet Never yank the cord.
11. The use of attachments is not recommended and may cause hazards
12. Always use on a dry, level surface.
13. Do not operate if the fan housing is removed or damaged.
14. Do not operate any fan with a damaged cord or plug. Discard fan or return to an qualified service facility for examination and/or repair.
15. Do not run cord under carpeting. Do not cover cord with throw rugs, runners, or similar coverings. Do not route cord under furniture or appliances. Arrange cord away from traffic area and where it will be tripped over.
16. The appliance is not to be used by children or persons with reduced physical, sensory or mental capabilities, or lack of experience and knowledge, unless they have been given supervision or instruction.
17. Close supervision is necessary when any appliance is used by or near children. Children should not play with the appliance.

THIS PRODUCT IS EQUIPPED WITH A POLARIZED PLUG

(a plug having one blade wider than the other). To reduce the risk of electric shock, this plug is intended to fit in a polarized outlet only one way. If the plug does not fit fully in the outlet, reverse the plug. If it still does not fit, contact a qualified electrician.

DO NOT OVERRIDE THE SAFETY PURPOSE OF THIS POLARIZED PLUG

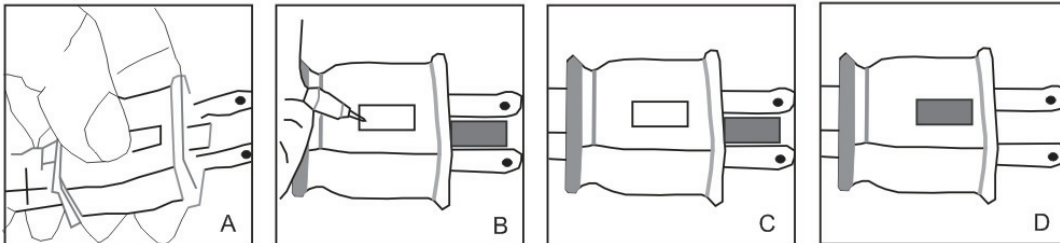


PREPARATION

Before beginning installation of product, make sure all parts are present. If any part is missing or damaged, do not attempt to assemble, install or operate the product.
NO repair tools are included.

USER SERVICING INSTRUCTIONS

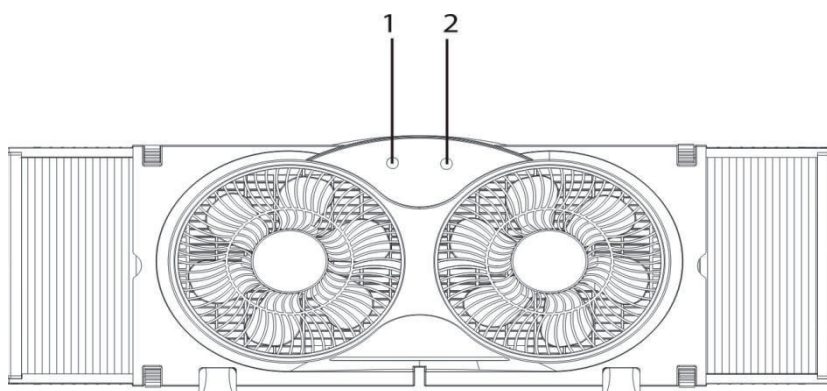
Grasp plug and remove from the receptacle or other outlet device. Do not unplug by pulling on cord.
(A) Open fuse which is covered by sliding access cover on top of attachment plug toward plug blades.
(B) Remove fuse carefully by gently pulling out the ends of the fuse from the receptacle.
Risk of fire. Replace fuse only with 2.5 amp, 125volt fuse.
(C) Install replacement fuse by first placing the end of the fuse receptacle which is opposite of the blades of the plug, then carefully push in the other end. Only push against the metal end of the fuse, not the glass center portion.
(D) Close fuse cover by sliding the cover back into the plug until it is completely closed and latches



Risk of fire, do not replace attachment plug. Contains a safety device (fuse) that should not be removed.

Discard product if the attachment plug is damaged.

FEATURE



1.OFF/COOL/EXHAUST

2.OFF/COOL/EXHAUST

OPERATION INSTRUCTION

Intended Use

This product is intended for indoor residential and office use only, not for industrial or other commercial applications. Use only with electrical wiring that is in good working order and that meets applicable codes and ordinances. If you have any questions about whether your wiring is adequate, consult a qualified electrician.

Control Panel Functions

Off-Turns the fan off.

Cool- Bring fresh air in from outside.

Exhaust - Removes stale air from the room.

Fan Operation

Always operate the fan in the upright position following all instructions and recommendations listed in this manual.

Plug the fan directly into a 120V AC,60Hz wall outlet. Be sure the plug fits tightly into the outlet. A loose connection may cause overheating and damage to the plug or fan.

NOTE: To prevent overloading a circuit, do not plug the fan into a circuit that is servicing other electrical needs.

Fan location

Place the fan in the area of the room that will provide proper fan cooling. This fan can be placed in a window to provide additional air from outside. In this location, the fan can also be used to push inside air outwards using Exhaust mode. Additionally, Circulation mode allows one fan to pull air in from outside, while a second fan pushed air from indoors outwards.

ASSEMBLY INSTRUCTIONS

Floor/Table Assembly Instructions

1. Locate the slot on the base of the fan.
2. Align screw holes of base leg and fan and attach base leg.
3. Ensure the base leg is snapped in and secured in the slot.
4. Use supplied screws to secure the base leg to fan.
5. Repeat for opposite side.
6. Base legs should not be installed when secured inside a window.

Double Hung Window Assembly Instructions

It is recommended that window screens be left in place. Legs should not be installed when mounting this fan in a window.

1. Locate the slot behind the control panel.
2. With the fan centered in the window, unlock the clips of the accordion panels and spread out to fit window.
3. Lock the accordion panels in place by closing the clips on the top and the bottom of the accordion panels.
4. Lower window into slot located behind the control panel.
5. Confirm the fan is secure in the window.

Vertical/slider window Assembly Instructions

It is recommended that window screens be left in place. Legs should not be installed when mounting this fan in a window.

1. Position the fan in the window with the control panel facing the center of the opening.
 2. The fan must fit securely against the inside edge of the window opening.
 3. Slide the sliding window down to meet the edge of the fan. The side edge of the window must fit securely behind the top lip of the fan housing.
 4. For windows larger than 37", build a plywood panel to fit the open area and secure to the fan and window frame.
5. On casement windows taller than 12", it will be necessary to build a plywood frame around the fan, and then secure frame to fan and window frame.

CLEANING

1. Be sure to unplug the power cord from the outlet before cleaning.
2. Plastic parts should be cleaned with mild soap and a damp cloth or sponge. Do not submerge the unit to clean it. Thoroughly remove soap film with clean water.
3. Be sure not to get water or other liquid inside the fan motor.
4. Dry all parts completely before reassembling and reconnecting to a power source.

CUSTOMER ASSISTANCE:

FOR IMMEDIATE CUSTOMER SERVICE, CALL: 1-877-420-7555.

A CUSTOMER SERVICE REPRESENTATIVE WILL ASSIST YOU WITH ANY QUESTIONS REGARDING YOUR FAN.

Made in China

Distributed by:

OBO, Baltimore, MD