




















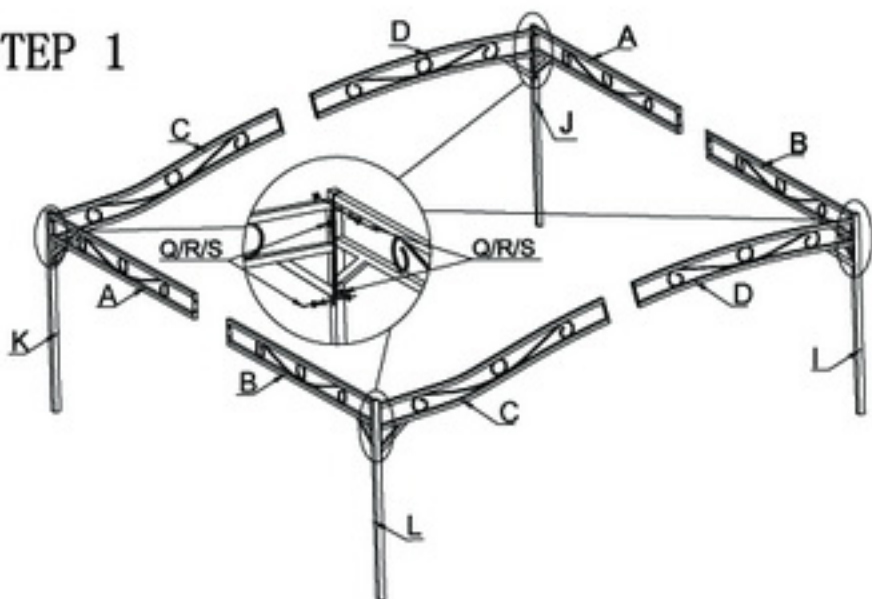


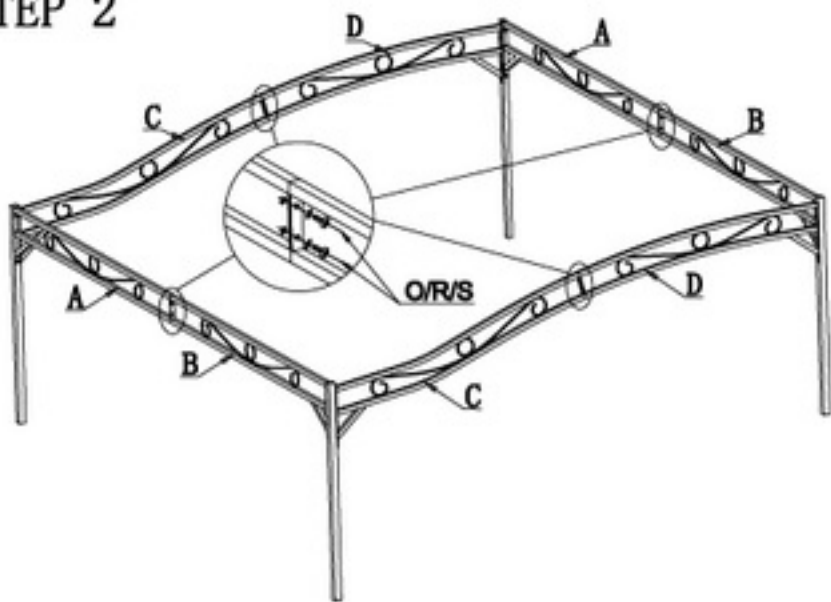
# PARTS LIST FOR WAVE GAZEBO

A		2	L		1
B		2	M		2
C		2	N		2
D		2	O	 M6*15MM	42
E		7	P	 M6*30MM	7
F		7	Q	 M6*45MM	16
G		1	R		65
H		1	S		24
I		1	T		1
J		1	U		1
K		1			

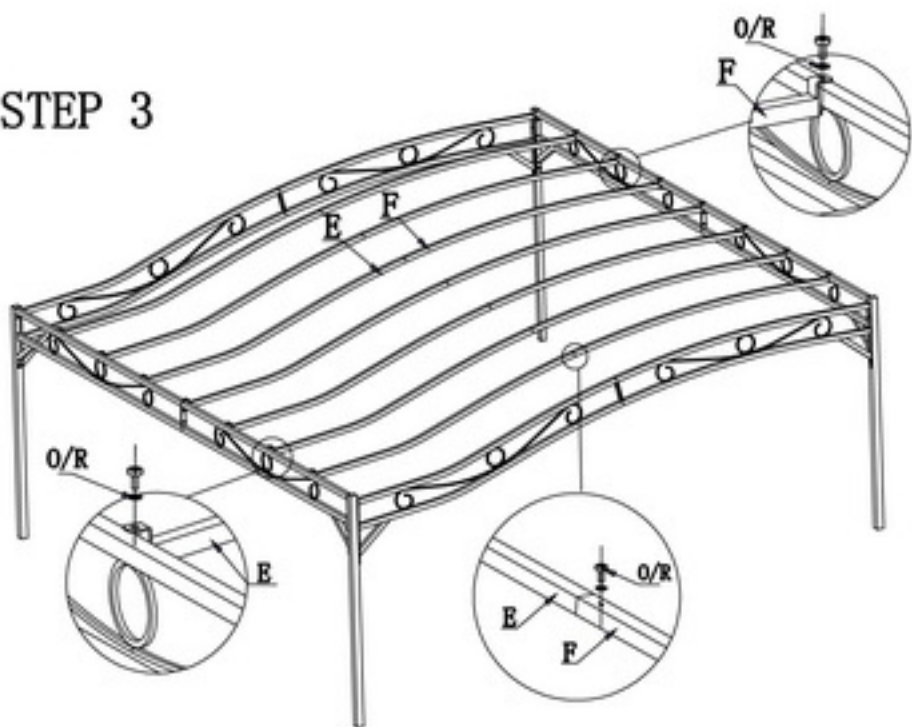
## STEP 1



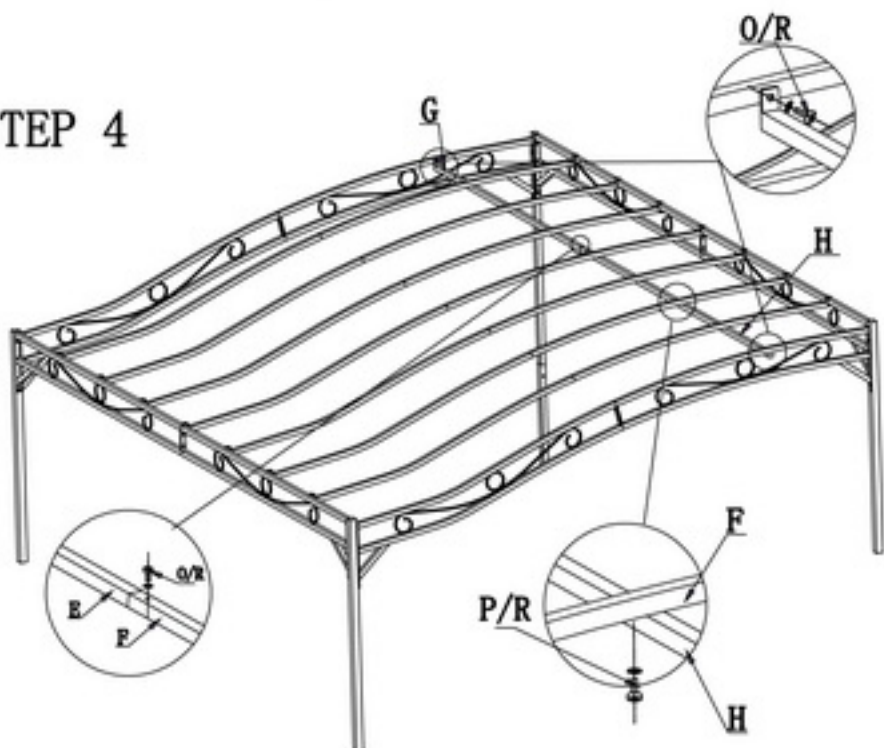
## STEP 2



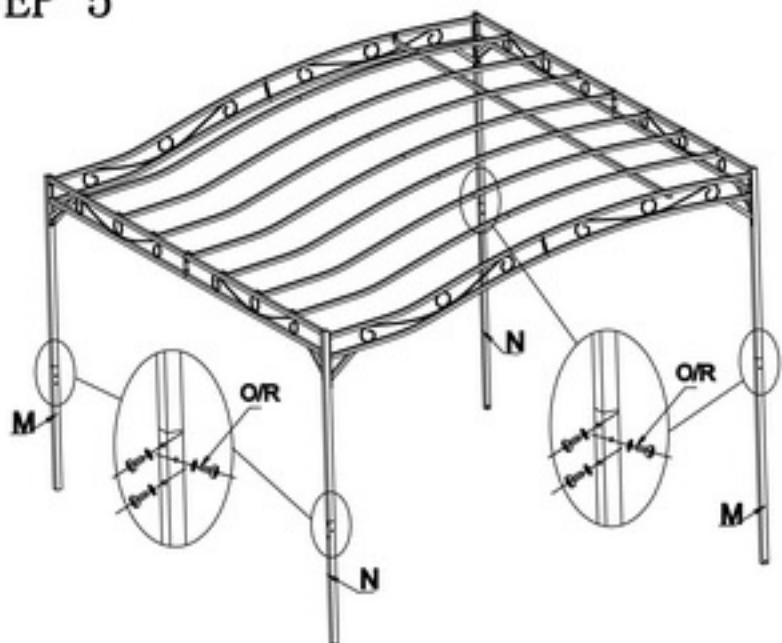
### STEP 3



### STEP 4



## STEP 5



## STEP 6

